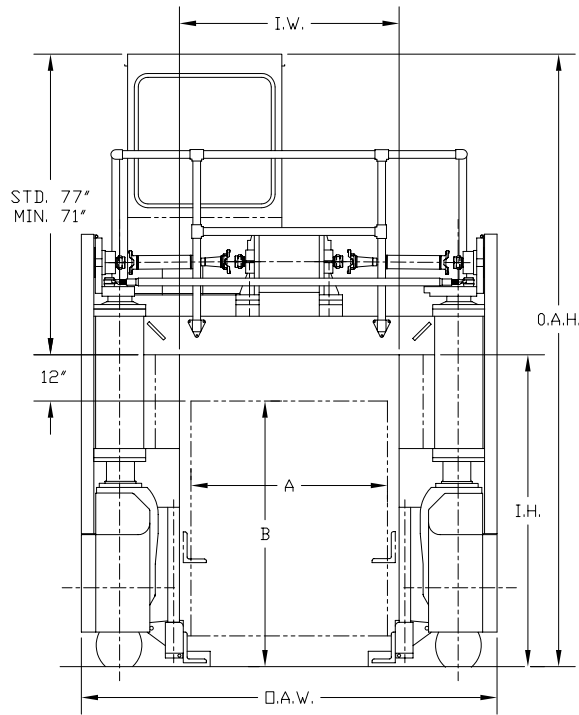


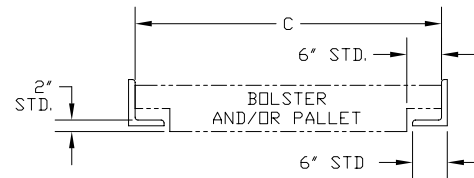
REV. ECN. NO.			REVISIONS			DATE BY CHK APP.		ENG. NO.
								SC-10369



A = LOAD WIDTH
 B = LOAD HEIGHT INCLUDING BOLSTER AND/OR PALLET
 C = BOLSTER LENGTH OR PALLET WIDTH
 I.W. = INSIDE FRAME WIDTH (DIM.'A'+ 5") OR (DIM.'C'+ 3")
 I.H. = INSIDE FRAME HEIGHT (DIM.'B'+ 12")
 O.A.W. = OVERALL WIDTH
 STD. O.A.H. = OVERALL HEIGHT (DIM.'B'+ 12" + 77" STD.)
 MIN. O.A.H. = OVERALL HEIGHT (DIM.'B'+ 12" + 71" MIN.)
 LIFT CAPACITY- SELECT MAXIMUM LIFT FROM 20,000 - 90,000 LBS.

THE SCHEMATIC AND INSTRUCTIONS
 ARE FOR DETERMINING THE INSIDE HEIGHT AND
 INSIDE WIDTH OF A COMMERCIAL STRADDLE
 CARRIER FRAME

DIM A	DIM B	DIM C	DIM I.W.	DIM O.A.H.	DIM O.A.W.	DIM I.H.	CAPACITY



SC-10369
 REV. 01
 B

APPROVED BY _____

QTY.	REQD./DASH NO.	ITEM NO.	PART NO.	DESCRIPTION	MATERIAL	SPECIFICATION			
				DRAWN BY: D. KANGAS		5/9/91			
				CHECKED BY:					
				ENGR. APP.					
				MFG. APP.					
				UNLESS SPECIFIED		TOLERANCES			
				DIMENSIONS ARE IN INCHES AND		DECIMAL .XXX ±			
				SHARP EDGES		ANGULAR ±			
				FINISHED SURFACES		±			
DASH NO.	NEXT ASS'Y APPLICATION	QTY.	USED ON	SCALE:	ECN. NO.	SHEET 1 OF 1	SIZE C	DRAWING NO. 10369	UI-3



TITLE
 DETERMINANT OF INSIDE HEIGHT
 AND INSIDE WIDTH OF A
 STRADDLE CARRIER FRAME